

# (1) Type Examination Certificate

(2) No. of the Type Examination Certificate: **ZP/B085/22**

(3) Product: **Anschlageinrichtung Typ A  
Typ: LUX-top® GBD**

(4) Manufacturer: **ST Quadrat S.A.  
11, rue Flaxweiler  
6776 Grevenmacher / Potaschberg  
Luxemburg**

(5) Address: **ST Quadrat Fall Protection S.A.  
45, rue Fuert  
5410 Beyren  
Luxemburg**

(6) The design of this product and any acceptable variation thereto are specified in the schedule to this Type Examination Certificate.

(7) The certification body of DEKRA Testing and Certification GmbH certifies that this product complies with the fundamental requirements of the standard listed under item 8 below. The examination and test results are set out in the report PB PB 22-062.

(8) The requirements of the standard are assured by compliance with

**DIN EN 795:2012**

**DIN CEN/TS 16415:2017**


(9) This Type Examination Certificate relates only to the design, examination and tests of the specified product in accordance to the standard list. Further requirements of the Directive apply to the manufacturing process and supply of this personal protective equipment. These are not covered by this certificate.

(10) This Type Test Certificate is valid until 2027-05-05.

DEKRA Testing and Certification GmbH  
Bochum, 2022-05-06

signed: Kilisch  
Managing director

We confirm the correctness of the translation from the German original.  
In the case of arbitration only the German wording shall be valid and binding.

  
Managing director

## TRANSLATION

- (11) Appendix to
- (12) **Type Examination Certificate  
ZP/B085/22**
- (13) 13.1 Subject and Type  
Anchor device type A  
Type: LUX-top® GBD

### 13.2 Description

The anchor device of type LUX-top® GBD and its possible variants is used to protect three people against falls from a height. It is intended for mounting on suitable metal roof systems of sufficient strength. The anchor device can be used either as a single anchor point or as an end stop as part of the wire-rope system type LUX-top® FSE 2003 (Fig. 1-2). The variant LUX-top® GBD-GBS-ZP (Fig. 3) is used as an intermediate structural anchor in the same wire-rope system.

The two-part clamping rails are adjusted to the seam profile of the roof (panel width ca. 465 mm) and, after they have been placed on the roof profile, are screw-fastened against each other using four M10 bolts with self-locking nuts.

The base is also screw-fastened to the clamping rails using two M10 bolts each. The user connects his PPE to the attachment eyelet, which is mounted using a hexagonal bolt, serrated washer and cap nut (M16).

The anchor device is intended for bearing loads exerted from any direction parallel to the structure surface.

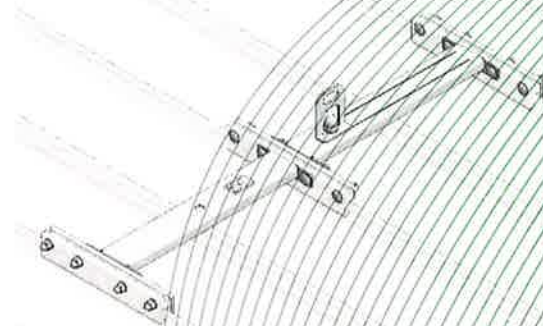


Fig. 1: LUX-top® GBD-RR 465

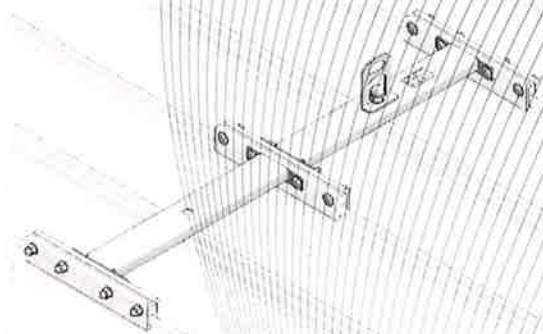


Fig. 2: LUX-top® GBD-GBS

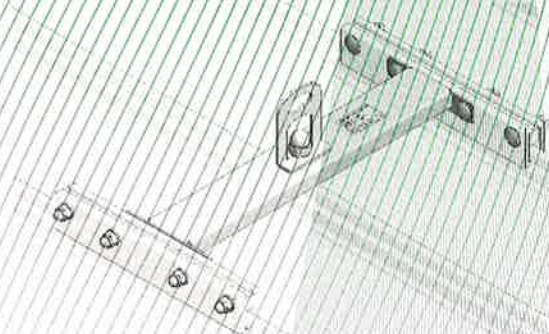


Fig. 3: LUX-top® GBD-GBS-ZP

- (14) Report

PB 22-062 dd. 2022-05-06